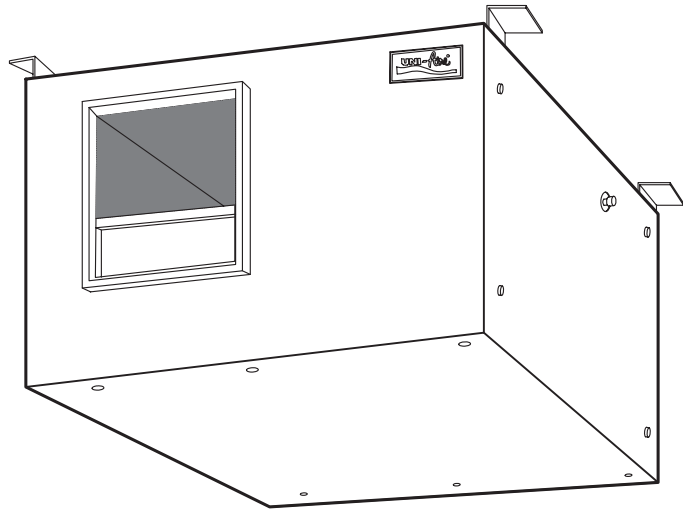


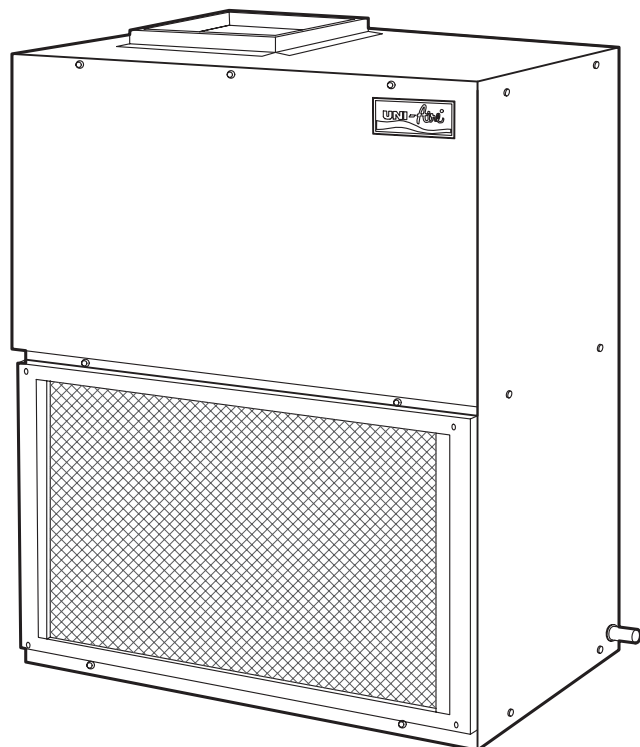
# MODEL AHE/H

FOR DIRECT EXPANSION  
SYSTEMS AND CHILLED  
WATER SYSTEMS

FAN-COIL UNITS  
1000-2000 CFM



**Horizontal**



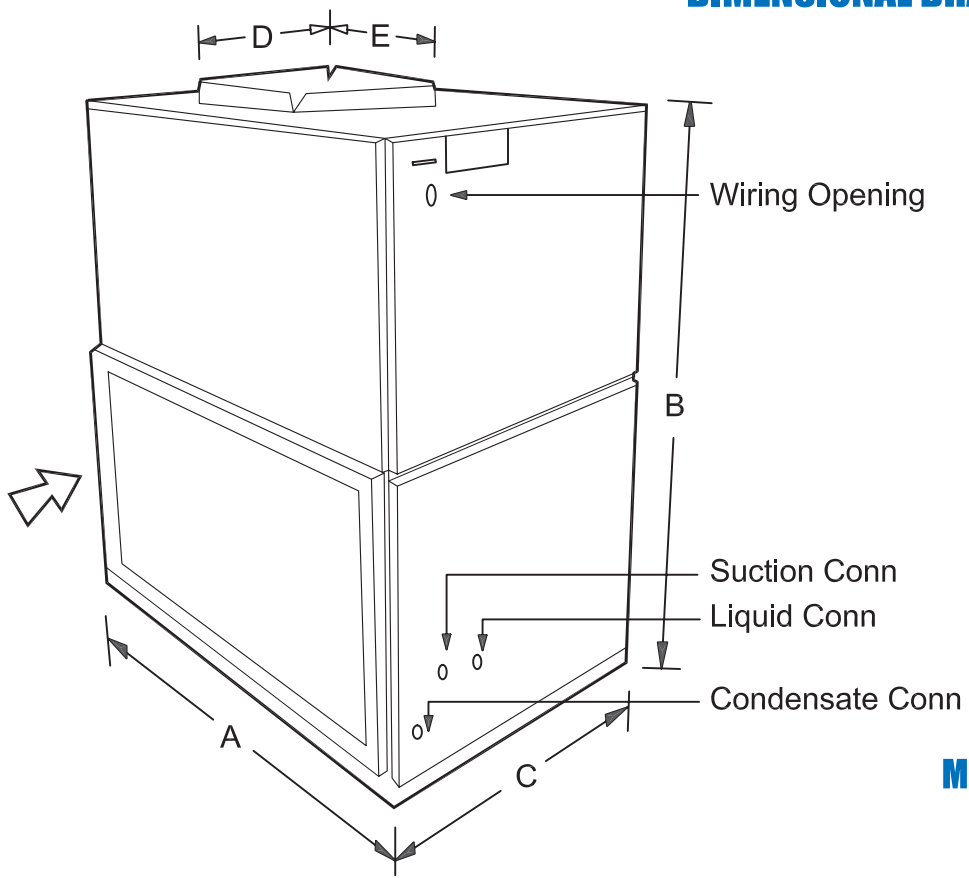
**Vertical**



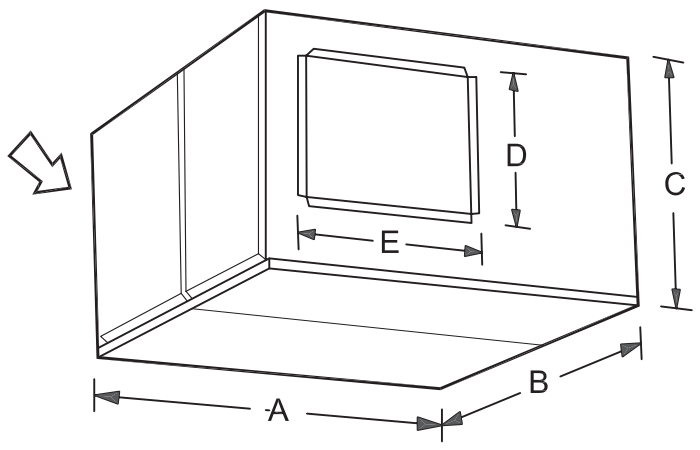
**Air Conditioning Experts**

UN-06-01-01-01

**DIMENSIONAL DRAWINGS**



**MODEL AHE**



**MODEL AHEH**

**DIMENSION (mm)**

MODEL	A	B	C	D	E
AHE/H - 010	737	890	474	273	257
AHE/H - 012	737	890	474	273	257
AHE/H - 016	922	890	474	273	314
AHE/H - 020	922	890	474	292	353

## PHYSICAL DATA & ELECTRICAL DATA

MODEL FAN COIL UNIT	MODEL	AHE/AHEH			
	Dx.Coil	010	012	016	020
	Water COIL	010 W	012 W	016 W	020 W
<b>NOMINAL CAPACITY*</b>	BTUH	30,000	36,000	50,000	60,000
<b>NOMINAL Water Flow**</b>	GPM	6	7	10	12
<b>Pressure Drop</b>	FT of WG	11.6	12.4	17.4	16.0
	PSI	5.0	5.4	7.5	6.9
<b>RATED AIR FLOW HIGH SPEED</b>	CFM	1000	1200	1600	2000
<b>FAN COIL UNIT</b>	Type	<b>DUCTED TYPE</b>			
<b>EVAPORATOR FAN</b>	Type	CENTRIFUGAL DIRECT DRIVE			
<b>MOTOR</b>	Watt	139		196	282
	Amp	0.98		1.45	2
<b>POWER SUPPLY</b>	Volt/Phase/Hz.	220/1/50			
<b>COIL</b>	Type	ALUMINIUM CORRUGATED FIN WITH PLAIN COPPER TUBE			
	Face Area (Ft <sup>2</sup> )	2.5	3.05	3.61	4.16
	Row	3			
<b>THERMOSTAT</b>	Type	OPTIONAL			
<b>REFRIGERANT CONTROL</b>	Type	<b>CAPILLARY TUBE / EXPANSION VALVE</b>			
<b>AIR FILTER</b>	Type	ALUMINIUM PERMANENT			
<b>CONNECTION</b>	Suction (IN.OD.)	3/4		3/4	
	Liquid (IN.OD.)	3/8		1/2	
	Drain (IN.OD.)	3/4			
	Water conn.In/Out	3/4		7/8	
<b>DIMENSION</b>	Width (mm.)	737		922	
	Height (mm.)	890			
	Depth (mm.)	474			
<b>WEIGHT</b>	kgs.	68	72	77	84

\* Based on 80 °F Db, and 67° F Wb Air Entering Coil  
95 °F Db, and 83° F Wb Ambient Temp.

\*\* For Water Coil, Based on 45° F Entering Water Temp.

**SPECIFICATIONS ARE SUBJECTED TO CHANGE WITHOUT NOTICE FOR FUTURE IMPROVEMENT.**

## FEATURES

### Casing :

A sturdy, electro-zinc coated steels sheet cabinet is provided in modern SLIM design. All members of the cabinet are die formed that assures a good dimensional and quality control. Cabinet are finished in HARMONY BEIGE color of ELECTROSTATIC POWDER painting process that provides a double protection against rust.

### Condensate Removal :

All standard Cooling Coils are constructed of Aluminum plate fin, mounted on copper tubes which are mechanically bonded for maximum efficiency of heat transfer.

### Cooling Coil :

Drip pan with water repellent type Insulation to insure positive removal of all condensation and prevent condensation on the underside of the drip pan.



ISO 9001  
QMS03214/818



ISO 14001  
EMS06031/250



TIS 18001  
OHS08008/226



OHSAS 18001  
OHSAS09003/156



ISO 9001



ISO 14001



ETD



CE



PRIME MINISTERS  
EXPORT AWARD



THAILAND  
Diversity & Resilience



**UNI-Aire®**  
Air Conditioning Experts

### UNI-AIRE CORPORATION CO., LTD.

69 Moo 3 Kingkaew Rd., Bangplee, Samutprakarn 10540 THAILAND Tel. 02 312-4500, 02 312-4263-78 Fax. 02 312 4277

69 หมู่ 3 ด.กิ่งแก้ว ต.ราชาเทวะ อ.บางพลี จ.สมุทรปราการ 10540 โทร 02 312-4500, 02 312-4263-78 แฟกซ์ 02 312-4277

<http://www.uni-aire.com> E-mail: [localsale@uni-aire.com](mailto:localsale@uni-aire.com), [marketing@uni-aire.com](mailto:marketing@uni-aire.com)